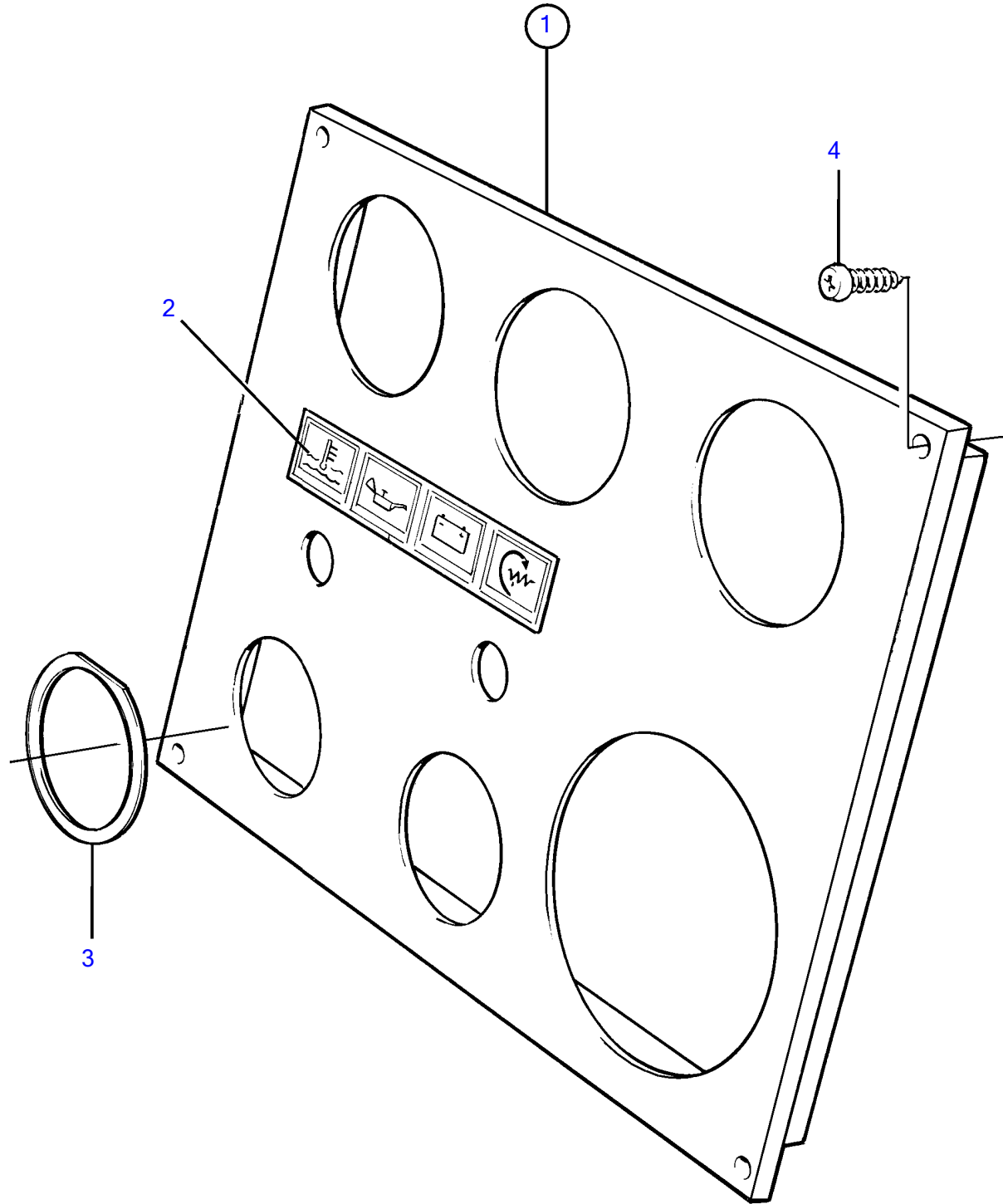


TAMD122A, TMD122A, TAMD122P-A, TAMD122P-B, TAMD122P-C



TAMD122A, TMD122A, TAMD122P-A, TAMD122P-B, TAMD122P-C

REF	PART NO.	QTY	DESCRIPTION
1	860184	1	Instrument panel
2	858645	1	• Symbol strip
3		1	• Marking label, starter switch
4	828647	4	Screw